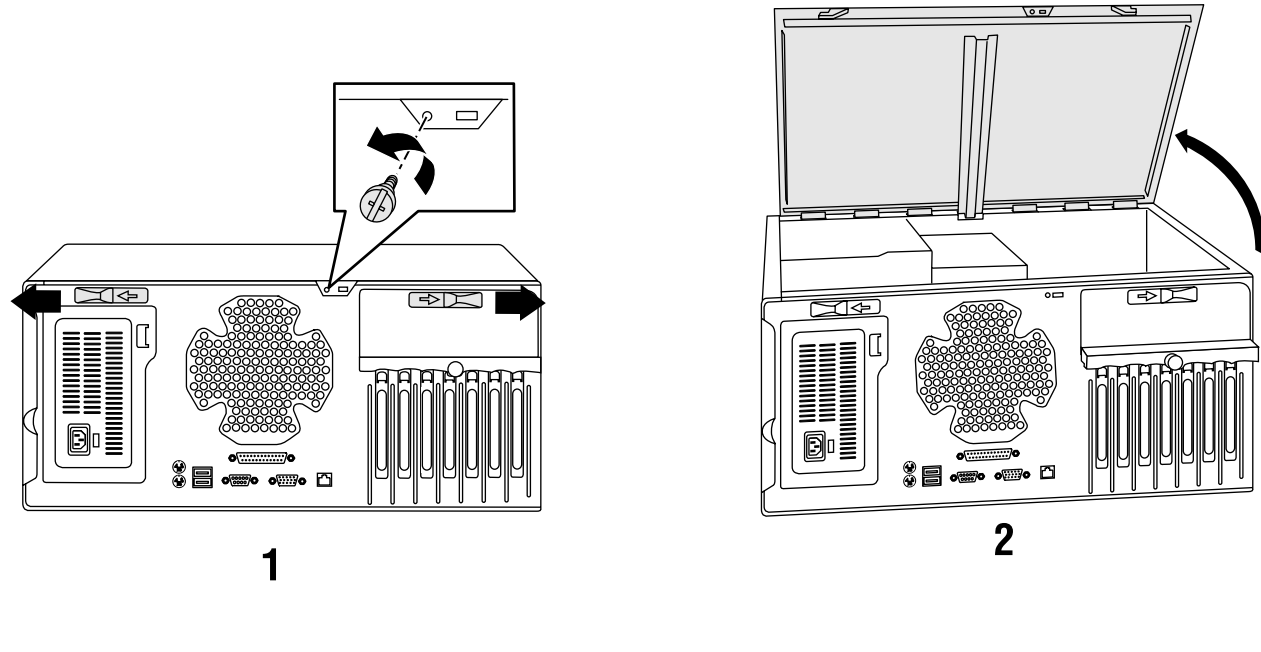
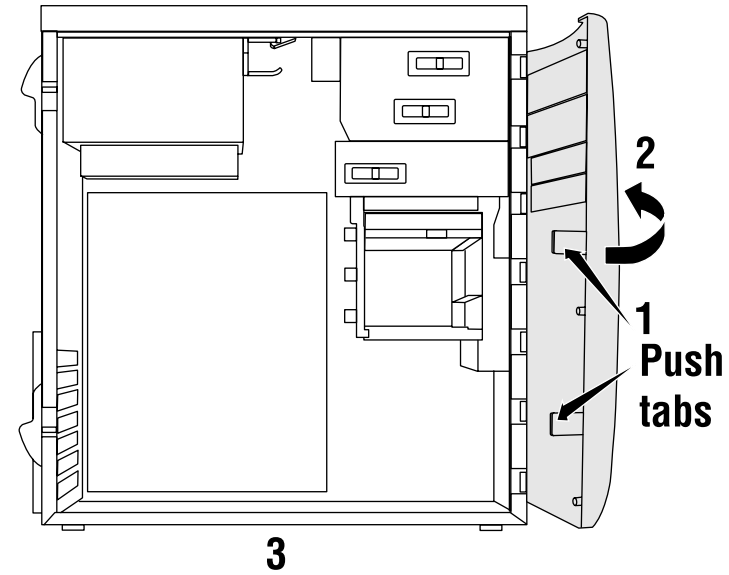


Opening Your Server

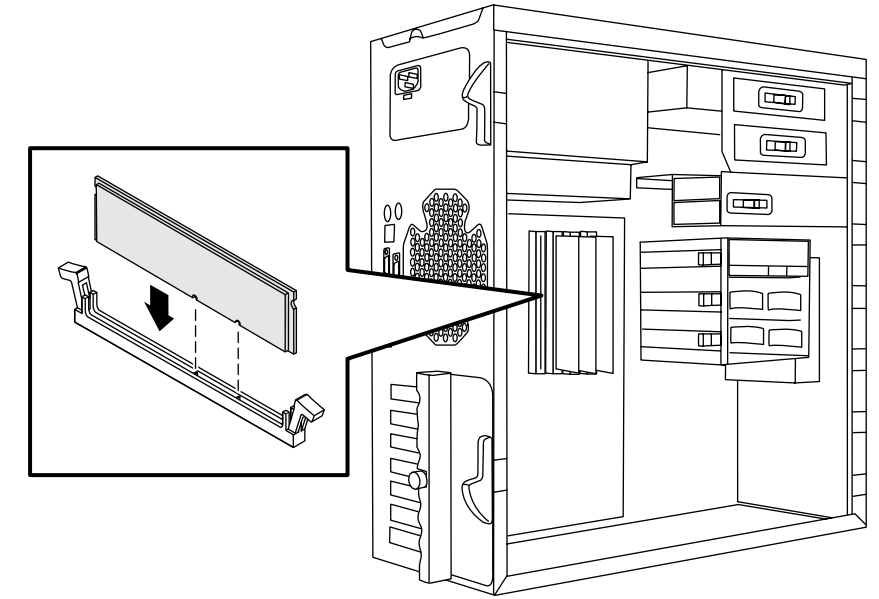


Static Electricity Precautions

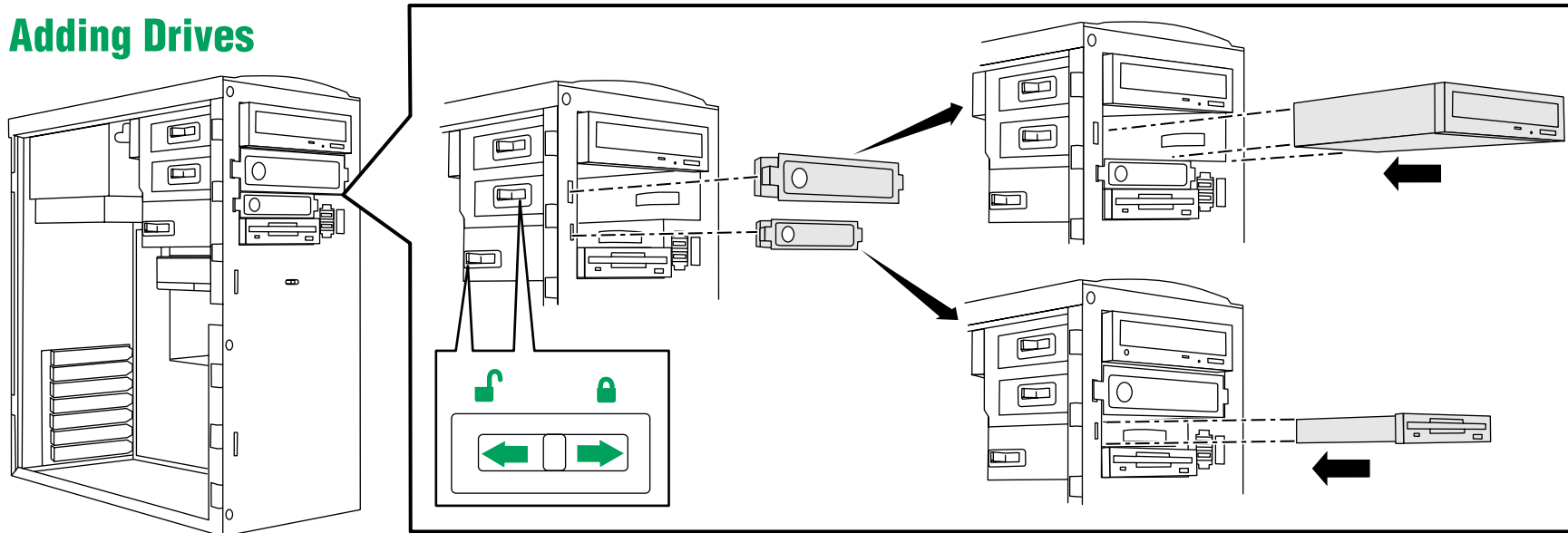
1. Wear a grounding strap (available at most electronics stores)
2. Turn off the server power
3. Unplug all power cords from AC outlets



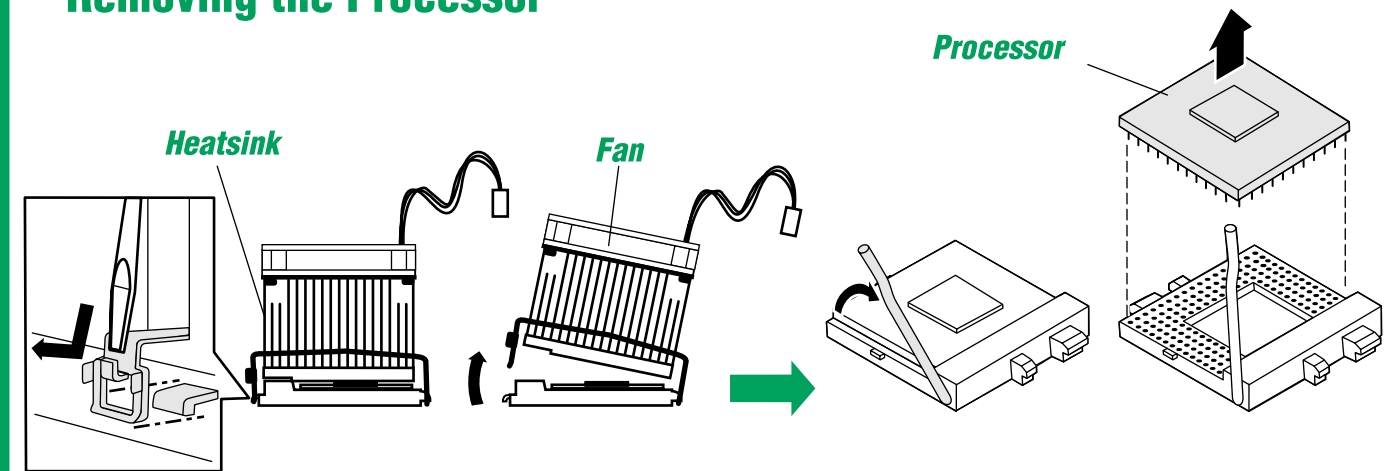
Adding Memory



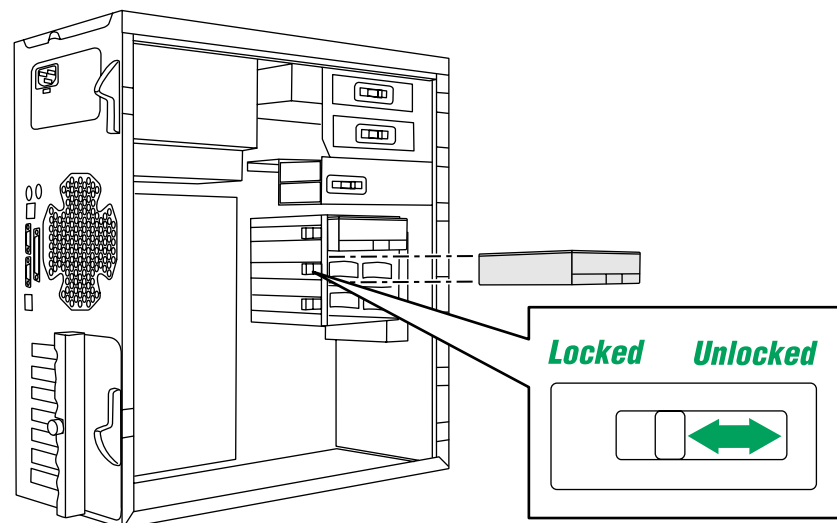
Adding Drives



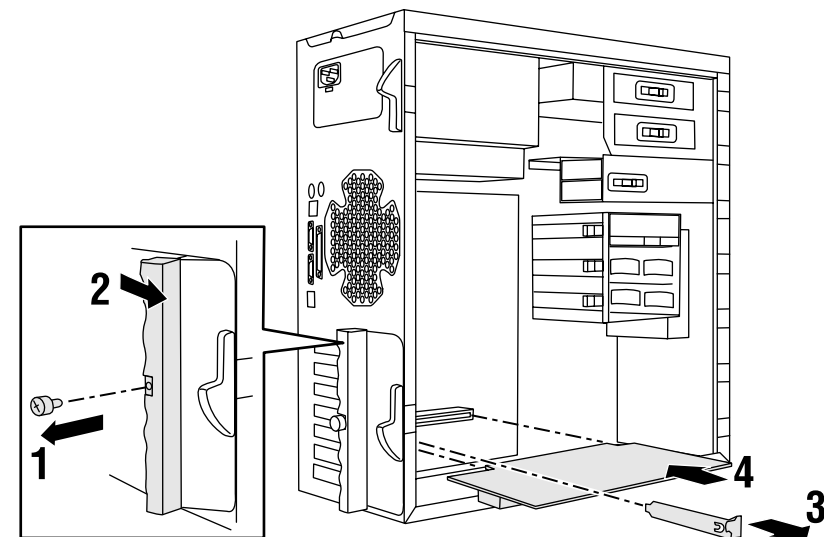
Removing the Processor



Removing or Adding a Hard Drive



Installing an Expansion Card



Additional Information Sources



Server Companion CD

- Hardware drivers and utilities
- System manual and component documentation
- Manageability solution software and documentation

www.gatewayatwork.com

- Product manuals and technical documentation
- Technical tips, support programs, and FAQs
- Driver library
- Technical training programs
- Assisted Service programs

A MAN US SP 500 SETUP POSTER R0 6/01



8507915